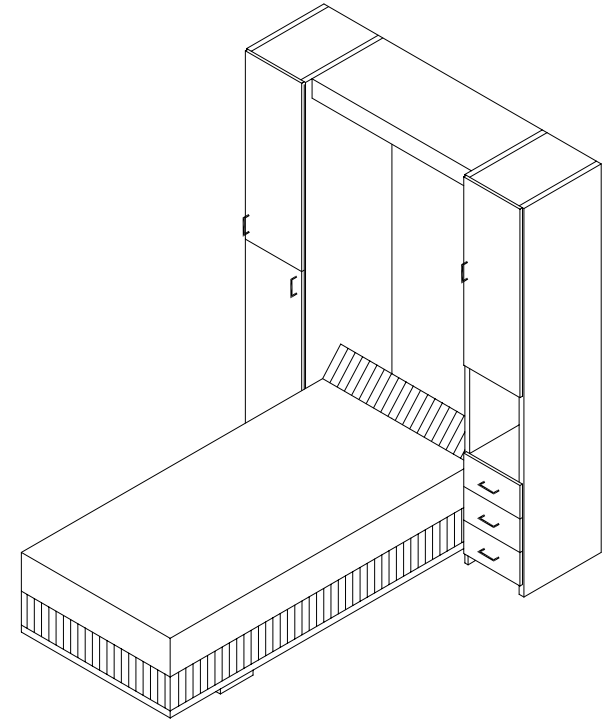


CAPTAIN'S OFFICE



ILLUSTRATION

Officer's Quarters - A & B Shifts (#14807)