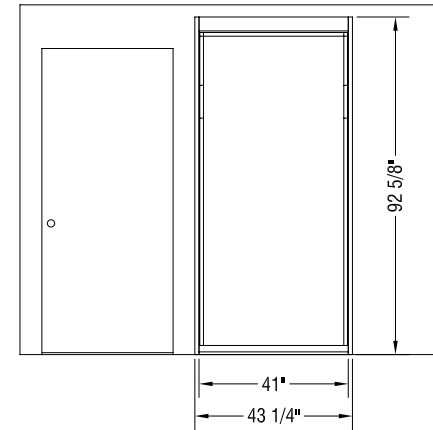
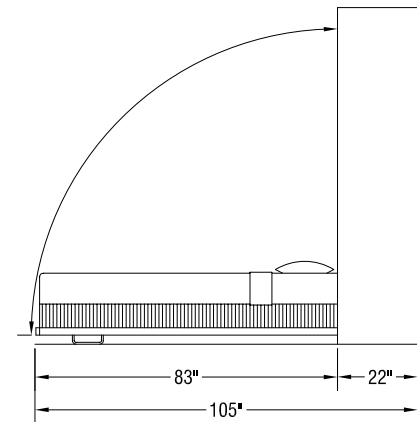


Plan View



FRONT ELEVATION, TYPICAL BED



TYPICAL BED, SIDE ELEVATION

## Dispatch Office, No Lockers (#14547)